

AD-80i

80-lb Capacity OPL Dryer

Standard Features:

- Variable drum speed
- Pre-heat system
- Trans-axial airflow
- Fully insulated cabinet
- Double-pane door glass
- Self-cleaning lint screen
- Direct spark ignition
- Two-point roller support
- "IMC" intuitive micro control with auto-dry system
- S.A.F.E. (Sensor Activated Fire Extinguishing System)
- Single-phase reversing basket
- Stainless steel basket and fronts
- Simplified inverter drive system
- Available in gas, steam & electric
- Fits through 48" door

Optional Features:

- Automatic Airflow Compensator (AAFC)
Optional AAFC adjusts exhaust fan speed to improve exhaust flow with increased back pressure caused by installation issues. This exclusive patented technology adjusts fan speed and enhances dryer performance. Measurements are calculated in real-time, on an ongoing basis to optimize dry-times and efficiency.

Why Purchase AD-80i?

Performance

The achievement: Through innovative design, the i-Series dryers achieve higher performance, industry-leading efficiency, shorter dry times and safer, more reliable operation. What an owner wants, an owner gets: saving money on utilities, payroll, and maintenance. Anyone can say their dryers have the best performance. The Intelligent Dryer Series has the features to prove it.

Reliability

Demanding owners require more than just outstanding performance for their toughest laundry environments. To accommodate owners, we designed the i-Series with years of reliable operation as an absolute design necessity. A sturdy steel-welded cabinet, fewer moving parts and top-quality components are the foundation of the line. Costly repairs and unwanted downtime are now a thing of the past.

IMC— Intuitive Micro Controls is easy-to-use and 100% customizable.

The IMC is an intelligent and simple-to-use control system that provides one-touch program selection. By creating a fully integrated drying system, ADC utilizes IMC to control all aspects of the drying process to minimize user error and maximize drying speed and efficiency.

OPL



AD-80i OPL Dryer

Your local ADC independent authorized distributor



www.adclaundry.com

AD-80i

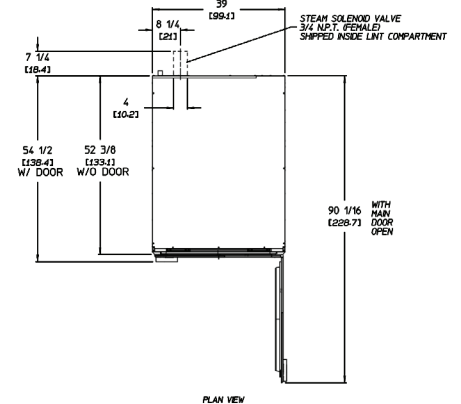
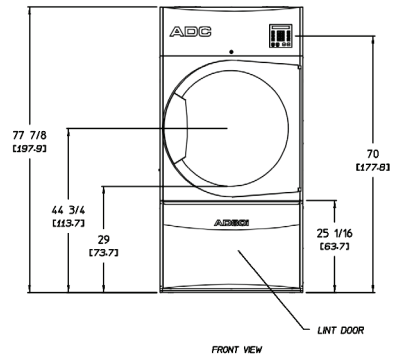
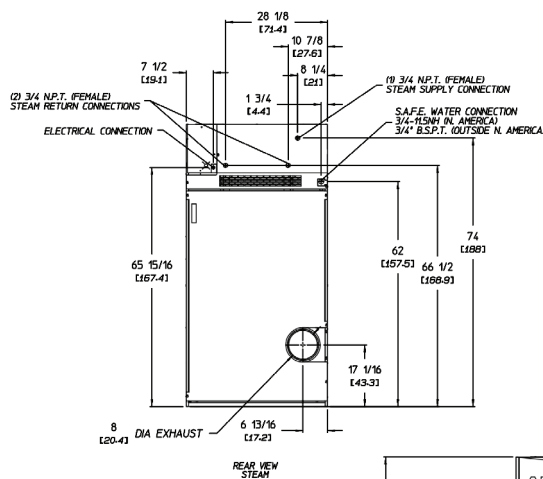
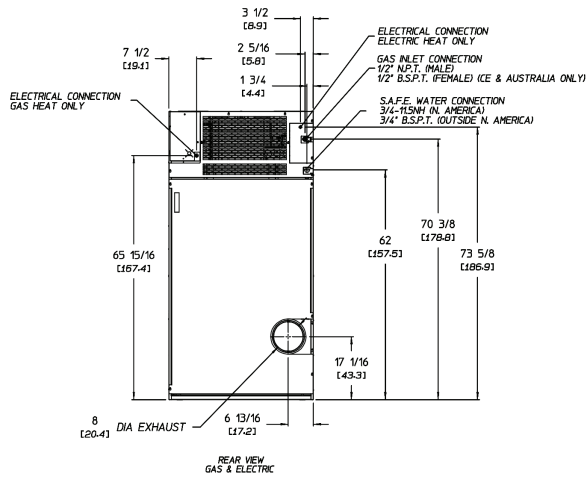
AD-80i Specifications

Maximum Capacity (dry weight)	80 lb	36.28 kg
Tumbler Diameter	37"	93.98 cm
Tumbler Depth	35-7/16"	90.01 cm
Tumbler Volume	22.05 cu ft	624.39 L
Tumbler/Drive Motor	1 hp	0.74 kW
Blower/Fan Motor*	3/4 hp	0.56 kW
Cabinet Width	39"	99.06 cm
Cabinet Depth	52-3/8"	133.03 cm
Cabinet Height	77-7/8"	197.80 cm
Door Opening (diameter)	31-3/8"	79.69 cm
Door Sill Height	29"	73.66 cm
Water Connection	3/4" - 11.5 NH (North America) 3/4" B.S.P.T. (Outside North America)	
Dryers per 20'/40' Container	8 / 16	
Dryers per 48'/53' Container	22 / 26	
Gas	Voltage Available	120-480V 1,3ø 2,3 50/60 Hz
	Approximate Net Weight	700 lb 317.52 kg
	Approximate Shipping Weight	720 lb 326.59 kg
	Airflow	50 Hz 880 cfm 24.91 cmm 60 Hz 920 cfm 26.05 cmm
	Heat Input	135,000 Btu/hr 34,019 kcal/hr
	Exhaust Connection (diameter)	8" 20.32 cm
Inlet Pipe Connection	1/2" N.P.T. (Male) 1/2" B.S.P.T. (Female) (CE and Australia Only)	
Electric	Voltage Available	280-480V 1,3ø 2,3,4w 50/60 Hz
	Approximate Net Weight	710 lb 322.05 kg
	Approximate Shipping Weight	730 lb 331.12 kg
	Airflow	50 Hz 770 cfm 21.80 cmm 60 Hz 740 cfm 20.95 cmm
	Exhaust Connection (diameter)	8" 20.32 cm
	Oven Size	kW Btu/hr kcal/hr 22 75,067 18,917 20.4 69,608 17,541 18.5 63,125 15,907
Steam	Voltage Available	120-480V 1,3ø 2,3 50/60 Hz
	Approximate Net Weight	830 lb 376.48 kg
	Approximate Shipping Weight	865 lb 392.36 kg
	Airflow	50 Hz 854 cfm 24.18 cmm 60 Hz 1,025 cfm 29.02 cmm
	Steam Consumption (Max)	140 lbs/hr 63.50 kg/hr
	Operating Steam Pressure	150 psi 10.34 bar
Exhaust Connection (Diameter)	8" 20.32 cm	
Boiler Horsepower (Normal Load)	3.6 Bhp	
Supply Connection	(1) 3/4" N.P.T. (Female)	
Return Connection	(2) 3/4" N.P.T. (Male)	

03/29/15

* Blower/fan motor for single-phase steam is 1 hp (0.75 kW). Blower/fan motor for 3-phase, all heat, is 1 hp (0.75 kW).

** If configuration ordered is 1ph motor, 3ph heat dryer will be 4w.



Electrical Service Specifications

SERVICE VOLTAGE	PHASE	WIRE SERVICE	GAS & STEAM HEAT		CIRCUIT BREAKER
			60 Hz	50 Hz	
120	1ø	2	9.8	--	15
208	1ø	2	10	--	15
220	1ø	2	5	5	15
230	1ø	2	5	5	15
240	1ø	2	5	5	15
208	3ø	3	4.45	--	15
220	3ø	3	8.35	4.45	15
230	3ø	3	8.35	4.45	15
240	3ø	3	8.35	4.45	15
380	3ø	3	--	2.73	15
400	3ø	3	--	2.73	15
416	3ø	3	--	2.73	15
440	3ø	3	4.53	--	15
460	3ø	3	4.53	--	15
480	3ø	3	4.53	--	15

Electrical Service Specifications

SERVICE VOLTAGE	PHASE	WIRE SERVICE	kW	APPROX AMP DRAW		CIRCUIT BREAKER
				60 Hz	50 Hz	
SINGLE-PHASE HEAT SINGLE-PHASE MOTOR						
208	1ø	2	22	116.1	--	150
220	1ø	2	18.5	94.0	89.0	125
230	1ø	2	20.4	98.6	93.6	125
240	1ø	2	22	101.7	93.6	150
THREE-PHASE HEAT SINGLE-PHASE MOTOR						
208	3ø	3	22	71.4	--	90
220	3ø	3	18.5	58.5	53.4	70
230	3ø	3	20.4	62.2	56.1	80
240	3ø	3	22	63	57.8	80
380	3ø	3*	18.5	--	34.7	50
400	3ø	3*	20.4	--	36.1	50
416	3ø	3*	22	--	37.2	50
THREE-PHASE HEAT THREE-PHASE MOTOR						
208	3ø	3	22	69	--	90
220	3ø	3	18.5	57	55	80
230	3ø	3	20.4	60	58	80
240	3ø	3	22	61	59	80
380	3ø	3	18.5	--	33	50
400	3ø	3	20.4	--	34	50
416	3ø	3	22	--	35	50
440	3ø	3	18.5	29	--	40
460	3ø	3	20.4	30	--	40
480	3ø	3	22	31	--	40



QY160041 1/17

88 Currant Road, Fall River, MA 02720-4781 • 508.678.9000